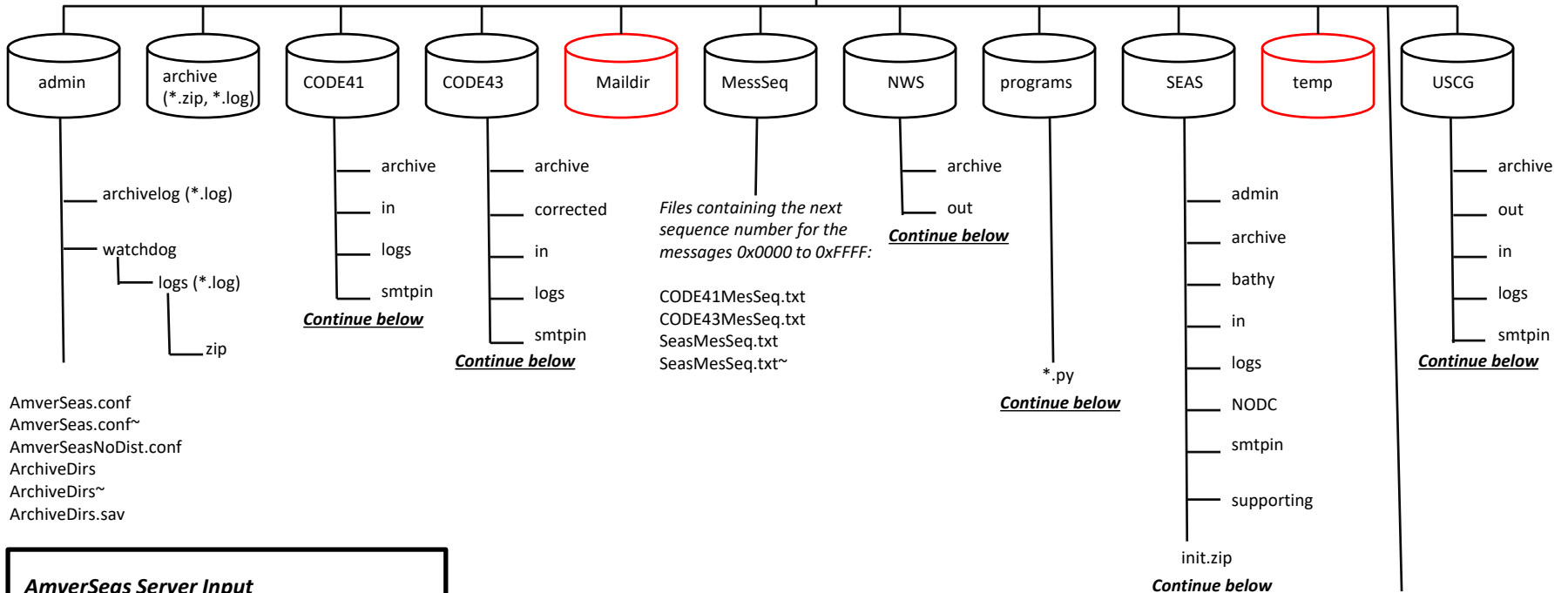


Location of the AMVER/SEAS home directory.



AmverSeas.conf
 AmverSeas.conf~
 AmverSeasNoDist.conf
 ArchiveDirs
 ArchiveDirs~
 ArchiveDirs.sav

AmverSeas Server Input

Code41 – Vizada – Text Met Reports
 Code43 – Vizada – Text AMVER Reports
 SEAS – Vizada – SEAS binary or text weather messages
 NOAA ships – Mailer.exe – Text Weather messages
 USCG Ice & Met – Weather and Ice reports

AmverSeas Server Output

NWSTG GTS
 USCG AMVER Center
 AOML
 NODC

Process Identification Number. Generated by daemons. Daemons need the PID of the scripts that are currently running in the background.



- AMVERdist.pid
- CODE41Mail.pid
- CODE41Met.pid
- CODE43Corrector.pid
- CODE43Mail.pid
- NDCdist.pid
- NWSdist.pid
- Qcdist.pid
- SEASBin.pid
- SEASMail.pid
- seasprocessor.pid
- USCGdist.pid
- USCGMail.pid
- WATCHDOG.pid
- seasprocessor_cpp

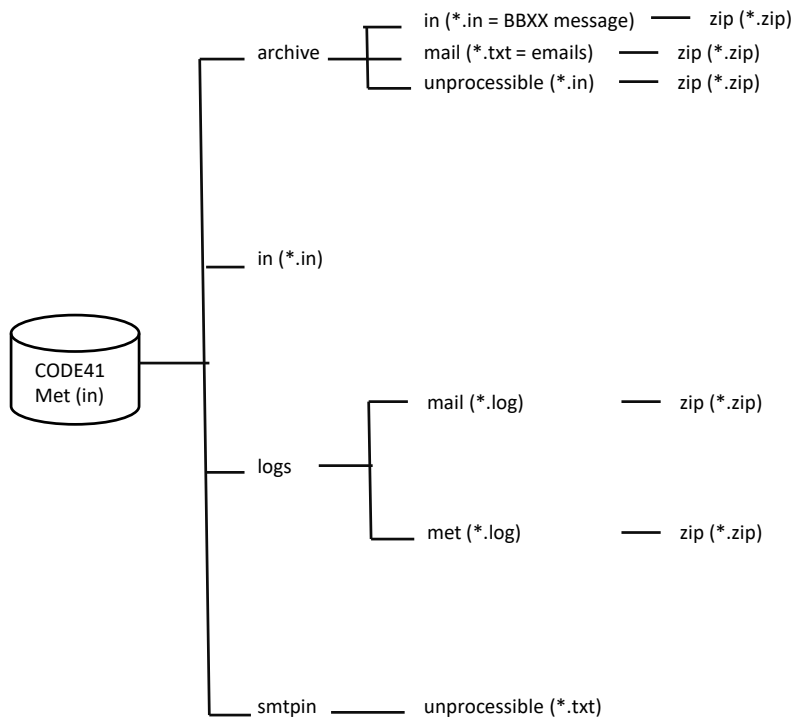
/home/AMVER/admin/AmverSeas.conf

```
[root@localhost admin]# more AmverSeas.conf
AMVERWorkDir:      /home/AMVER/
SEASArchive:      /home/AMVER/SEAS/archive/
SEASInbox:         /home/AMVER/SEAS/in/
SEASMessSeqFile:  /home/AMVER/MessSeq/SeasMesSeq.txt
SEASScanDir:      /home/AMVER/SEAS/smtpin/
SEASBinInputDir:  /home/vftp/seasbin/
BathyDir:         /home/AMVER/SEAS/bathy/
BathyQCInDir:     /home/vftp/seasqc/
CODE41Archive:    /home/AMVER/CODE41/archive/
CODE41Inbox:      /home/AMVER/CODE41/in/
CODE41MessSeqFile: /home/AMVER/MessSeq/CODE41MesSeq.txt
CODE41ScanDir:    /home/AMVER/CODE41/smtpin/
CODE43Archive:    /home/AMVER/CODE43/archive/
CODE43Inbox:      /home/AMVER/CODE43/in/
CODE43MessSeqFile: /home/AMVER/MessSeq/CODE43MesSeq.txt
CODE43ScanDir:    /home/AMVER/CODE43/smtpin/
CODE43CorrectDir: /home/AMVER/CODE43/corrected/
USCGArchive:      /home/AMVER/USCG/archive/
USCGInbox:        /home/AMVER/USCG/in/
USCGOutbox:       /home/AMVER/USCG/out/
USCGMessSeqFile: /home/AMVER/MessSeq/USCGMesSeq.txt
USCGScanDir:      /home/AMVER/USCG/smtpin/
NWSMessOutDir:    /home/AMVER/NWS/out/
NWSArchive:       /home/AMVER/NWS/archive/dlvd/
NODCOutDir:       /home/AMVER/SEAS/NODC/out/
AOMLftp:          ftp.aoml.noaa.gov
NWSftp:           ftpin.nws.noaa.gov
NODCftp:          ftp.nodc.noaa.gov
AOMLQCDir:        /phod/incoming/xbt/seas/bbx/
AOMLNODCDestDir:  /phod/incoming/xbt/seas/ndc/
NODCDestDir:      /pub/incoming/seas/
NWSDestDir:       .
NWSUSCGDestDir:   /ingester/ftpin054
DeliverBathy4QC:  true
DeliverNDCFiles:  true
DeliverUSCG2NWS:  false
DeliverMet2NWS:   true
DeliverBathy2NWS: true
DeliverAMVER:     true
AMVERAddress:     amvermsg@amver.org
AlertAddress1:    paul.chinn@noaa.gov
AlertAddress2:    pchinn@verizon.net
UnprocAddr:       paul.chinn@noaa.gov
ShipsHost:        140.90.113.100
```

AmverSeas.conf Entries

Tag	Value	Definition
AMVERWorkDir:	/home/AMVER/	Location of the AMVER/SEAS home directory
SEASArchive:	/home/AMVER/SEAS/archive/	Base directory of archive for records delivered to the SEAS binary address
SEASInbox:	/home/AMVER/SEAS/in/	Location of reformatted messages sent to SEAS binary (X.25 look alike)
SEASMessSeqFile:	/home/AMVER/MessSeq/SeasMesSeq.txt	File containing the next sequence number for SEAS binary messages 0x0000 to 0xFFFF
SEASScanDir:	/home/AMVER/SEAS/smtpin/	Directory to look for new SEAS binary email messages
SEASBinInputDir:	/home/vftp/seasbin/	Directory to submit SEAS binary messages through ftp
BathyDir:	/home/AMVER/SEAS/bathy/	Directory for real-time bathy ptoessing
BathyQCInDir:	/home/vftp/seasqc/	Directory for receiving profiles passing AutoQC
CODE41Archive:	/home/AMVER/CODE41/archive/	Directory of archive for records delivered to the code41 address
CODE41Inbox:	/home/AMVER/CODE41/in/	Location of reformatted messages sent to code41 (X.25 look alike)
CODE41MessSeqFile:	/home/AMVER/MessSeq/CODE41MesSeq.txt	File containing the next sequence number for code41 messages 0x0000 to 0xFFFF
CODE41ScanDir:	/home/AMVER/CODE41/smtpin/	Directory to look for new code41 email messages
CODE43Archive:	/home/AMVER/CODE43/archive/	Base directory of archive for records delivered to the code43 address
CODE43Inbox:	/home/AMVER/CODE43/in/	Location of reformatted messages sent to code43 (X.25 look alike)
CODE43MessSeqFile:	/home/AMVER/MessSeq/CODE43MesSeq.txt	File containing the next sequence number for code43 messages 0x0000 to 0xFFFF
CODE43ScanDir:	/home/AMVER/CODE43/smtpin/	Directory to look for new code43 email messages
CODE43CorrectDir:	/home/AMVER/CODE43/corrected/	Directory containing code43 reports after IMO number added to A line
USCGArchive:	/home/AMVER/USCG/archive/	Directory of archive for records delivered to the USCG address
USCGInbox:	/home/AMVER/USCG/in/	Location of reformatted messages sent to USCG (X.25 look alike)
USCGOutbox:	/home/AMVER/USCG/out/	Directory receiving USCG messages for delivery to NWSTG
USCGMessSeqFile:	/home/AMVER/MessSeq/USCGMesSeq.txt	File containing the next sequence number for USCG messages 0x0000 to 0xFFFF
USCGScanDir:	/home/AMVER/USCG/smtpin/	Directory to look for new USCG email messages
NWSMessOutDir:	/home/AMVER/NWS/out/	Directory to scan for bulletins to deliver to NWSTG
NWSArchive:	/home/AMVER/NWS/archive/dlvd/	Archive directory for bulletins delivered to NWSTG
NODCOutDir:	/home/AMVER/SEAS/NODC/out/	Directory queue for delivering NDC files to NODC and AOML
AOMLftp:	ftp.aoml.noaa.gov	Address of AOML ftp server (NDC Files, QC bulletins)

Tag	Value	Definition
NWSftp:	ftpin.nws.noaa.gov	Address of NWSTG ingest ftp server
NODCftp:	ftp.nodc.noaa.gov	Address of NODC ftp server (NDC Files)
AOMLQCDir:	/phod/incoming/xbt/seas/bbx/	AOML directory receiving profiles for QC
AOMLNODCDestDir:	/phod/incoming/xbt/seas/ndc/	AOML directory receiving NDC files
NODCDestDir:	/pub/incoming/seas/	NODC directory receiving NDC files
NWSDestDir:	.	NWSTG directory receiving real-time bulletins for distribution
NWSUSCGDestDir:	/ingester/ftpin054	NWSTG directory for receiving USCG bulletins (BBXX and Ice Reports)
DeliverBathy4QC:	TRUE	If TRUE, deliver profiles to AOMLQCDir directory
DeliverNDCFiles:	TRUE	if TRUE, deliver NDC files to AOMLNODCDestDir and AOMLNODCDestDir
DeliverUSCG2NWS:	FALSE	if TRUE deliver USCG bulletins to NWSTG
DeliverMet2NWS:	TRUE	if TRUE, deliver Met bulletins to NWSTG
DeliverBathy2NWS:	TRUE	if TRUE, deliver bathy bulletins to NWSTG
DeliverAMVER:	TRUE	if TRUE, deliver AMVER messages to AMVERAddress
AMVERAddress:	amvermsg@amver.org	email address to send AMVER reports
AlertAddress1:	user@domain	email address for Watchdog to send an alert (process crash or hang, dataflow interruption longer than 60 minutes)
AlertAddress2:	user@domain	email address for Watchdog to send an alert (process crash or hang, dataflow interruption longer than 60 minutes)
UnprocAddr:	user@domain	email address to send unprocessable messages
ShipsHost:	140.90.113.100	address of master ship database host



Message names begin with 06 followed by a four hexadecimal number followed by "se".

Extensions:

Mail message = .txt

Reformatted message = .in

Example:

0686F7se.txt

/home/AMVER/CODE41/archive – Directory of archive for records delivered to the code41 address.

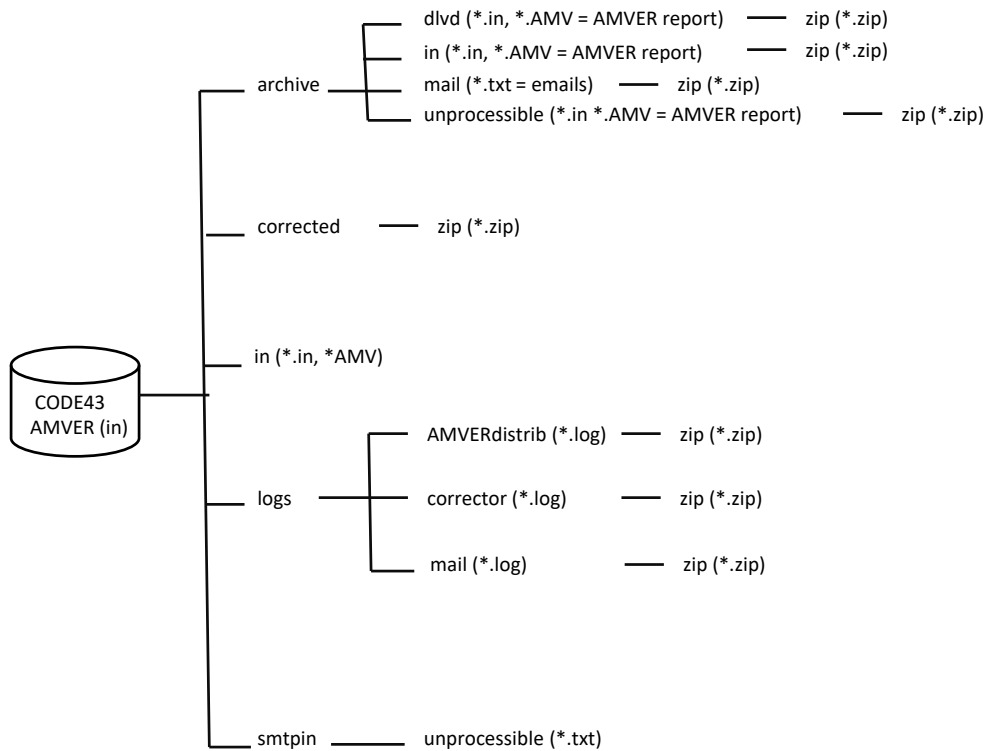
/home/AMVER/CODE41/in – Location of reformatted messages sent to code41 (X.25 lock alike).

/home/AMVER/CODE41/smtpin – Directory to look for new code41 email messages (original mail messages).

/home/AMVER/CODE41/archive/mail/0686F7se.txt

```
[root@localhost mail]# more 0686F7se.txt
Return-Path: <431026310@inmc.eik.com>
Received: from inferno.aoml.noaa.gov (inferno-service.aoml.noaa.gov [10.16.100.1])
    by goos070.aoml.noaa.gov (8.13.8/8.13.8) with ESMTMP id s2N175un017491
    for <code41@goos070.aoml.noaa.gov>; Sun, 23 Mar 2014 01:07:05 GMT
Received: (from uucp@localhost)
    by inferno.aoml.noaa.gov (8.11.7p1+Sun/8.11.7) id s2N16qw18216
    for <code41@goos070.aoml.noaa.gov>; Sat, 22 Mar 2014 20:06:52 -0500 (EST)
Received: from as100.amverseas.noaa.gov(140.90.113.100) by inferno.aoml.noaa.gov via csmmap (V6.0)
    id srcAAA9Ga4KJ; Sat, 22 Mar 14 20:06:52 -0500
Received: from smtp.eikmail.com (smtp.eikmail.com [148.122.180.73])
    by as100.amverseas.noaa.gov (8.13.8/8.13.8) with ESMTMP id s2N176Kh012912
    for <code41@as100.amverseas.noaa.gov>; Sun, 23 Mar 2014 01:07:07 GMT
Received: from mail.eikmail.com (unknown [148.122.180.66])
    by smtp.eikmail.com (Postfix) with ESMTMP id 0DC9A21D87;
    Sun, 23 Mar 2014 02:07:05 +0100 (CET)
Received: by mail.eikmail.com (Postfix, from userid 5000)
    id 2060321AA2; Sun, 23 Mar 2014 02:07:05 +0100 (CET)
Received: from smtp1.inmc.eik.com (smtp1.inmc.eik.com [148.122.32.21])
    by mail.eikmail.com (Postfix) with ESMTMP id 14BDE21A9F
    for <code41@eikmail.com>; Sun, 23 Mar 2014 02:07:05 +0100 (CET)
Date: Sun, 23 Mar 2014 01:10:01 +0000
From: 431026310@inmc.eik.com
Message-ID: <0.921498.IGW@smtp1.inmc.eik.com>
Subject: Message from Inmarsat-C Mobile
To: code41@eikmail.com
MIME-Version: 1.0
Content-Type: text/plain; charset=us-ascii
X-Loop: EIK_NO_RESEND
```

```
BBXX TBWUK15 23014 99203 50400 41498 43210 10260 20246 40163 54000
70211 837// 22200 04240 20401 80250=
```



Message names begin with **XX** followed by a four hexadecimal number **followed by "se"**.

Extensions:

Mail message = .txt

Reformatted message = .in

Example:

0686F7se.txt

/home/AMVER/CODE43/archive – Base directory of archive for records delivered to the code43 address.

/home/AMVER/CODE43/corrected – Directory containing code43 reports after IMO number added to A line.

/home/AMVER/CODE43/in – Location of reformatted messages sent to code43 (X.25 lock alike).

/home/AMVER/CODE43/smtpin – Directory to look for new code43 email messages (original mail messages).

/home/AMVER/CODE43/archive/mail/011FD400.txt

[root@localhost mail]# more 011FD400.txt

Return-Path: <437061410@inmc.eik.com>

Received: from inferno.aoml.noaa.gov (inferno-service.aoml.noaa.gov [10.16.100.1])

by goos070.aoml.noaa.gov (8.13.8/8.13.8) with ESMTP id s2N12Dgb017204

for <code43@goos070.aoml.noaa.gov>; Sun, 23 Mar 2014 01:02:13 GMT

Received: (from uucp@localhost)

by inferno.aoml.noaa.gov (8.11.7p1+Sun/8.11.7) id s2N120E18115

for <code43@goos070.aoml.noaa.gov>; Sat, 22 Mar 2014 20:02:00 -0500 (EST)

Received: from as100.amverseas.noaa.gov(140.90.113.100) by inferno.aoml.noaa.gov via csmmap (V6.0)

id srcAAABqayJ; Sat, 22 Mar 14 20:02:00 -0500

Received: from smtp.eikmail.com (smtp.eikmail.com [148.122.180.73])

by as100.amverseas.noaa.gov (8.13.8/8.13.8) with ESMTP id s2N12EgK012721

for <code43@as100.amverseas.noaa.gov>; Sun, 23 Mar 2014 01:02:15 GMT

Received: from mail.eikmail.com (unknown [148.122.180.66])

by smtp.eikmail.com (Postfix) with ESMTP id 3C0F421DE3;

Sun, 23 Mar 2014 02:02:13 +0100 (CET)

Received: by mail.eikmail.com (Postfix, from userid 5000)

id 4D39321A9F; Sun, 23 Mar 2014 02:02:13 +0100 (CET)

Received: from smtp1.inmc.eik.com (smtp1.inmc.eik.com [148.122.32.21])

by mail.eikmail.com (Postfix) with ESMTP id 3F9E821A9B

for <code43@eikmail.com>; Sun, 23 Mar 2014 02:02:13 +0100 (CET)

Date: Sun, 23 Mar 2014 01:05:09 +0000

From: 437061410@inmc.eik.com

Message-ID: <0.921233.IGW@smtp1.inmc.eik.com>

Subject: Message from Inmarsat-C Mobile

To: code43@eikmail.com

MIME-Version: 1.0

Content-Type: text/plain; charset=us-ascii

X-Loop: EIK_NO_RESEND

To: amvermsg@amver.com

AMVER/PR//

A/CLIPPER IY0/3ETM8

B/230100Z//

C/1526S/16213E//

E/233//

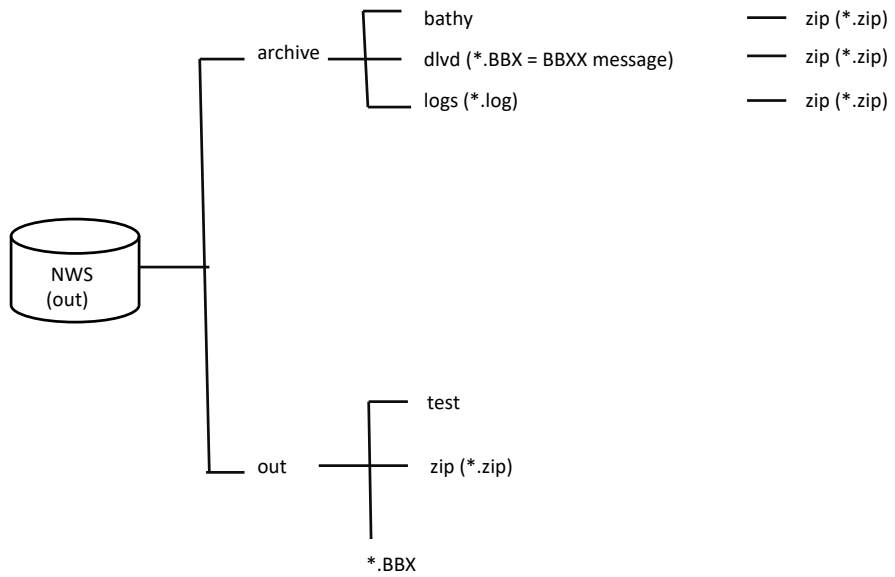
F/125//

I/GLADSTONE, AUS/2352S/15133E/251700Z//

M/INM-C 437061410/MMSI 370614000//

X/NXT REPORT/ FINAL REPORT//

Z/EOR//



/home/AMVER/NWS/archive/dlvd – Archive directory for bulletins delivered to NWSTG.
/home/AMVER/NWS/out – Directory to scan for bulletins to deliver to NWSTG.

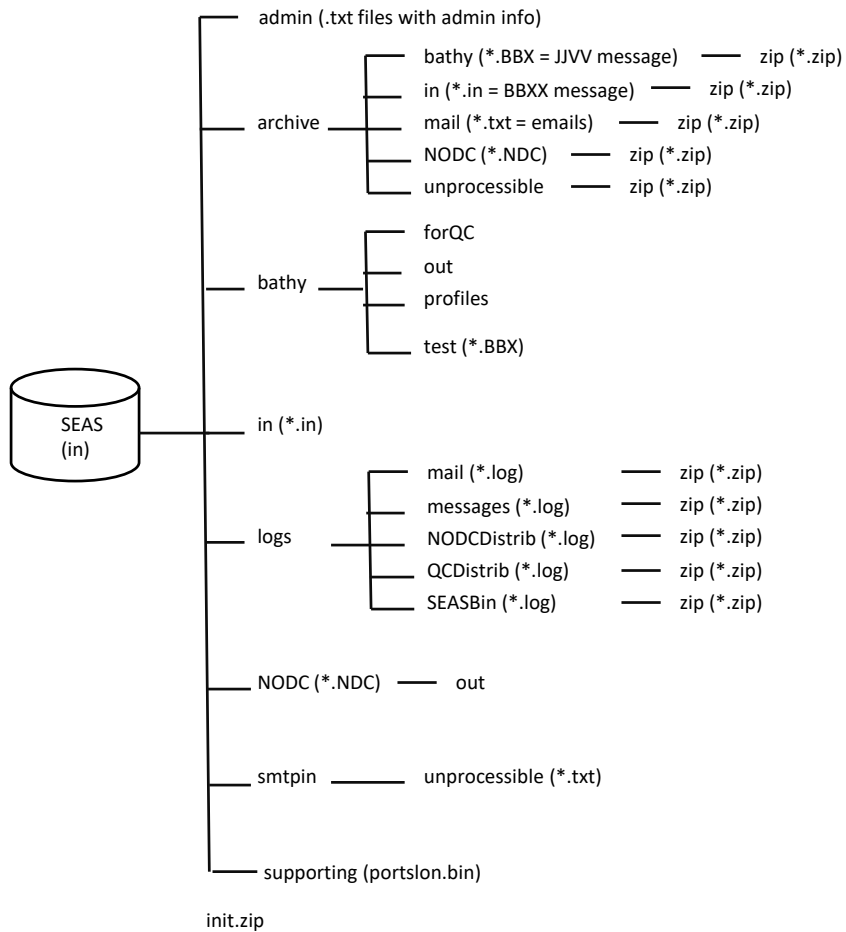
/home/AMVER/programs

```
[root@localhost AMVER]# cd programs
```

```
[root@localhost programs]# ls -l
```

```
total 2996
```

```
-rw-r--r--. 1 amver AMVER 7755 Apr 22 14:10 AMVERdistrib1.py
-rw-r--r--. 1 amver AMVER 7757 Apr 22 14:10 AMVERdistrib1.py~
-rw-r--r--. 1 amver AMVER 7708 Apr 22 14:10 AMVERdistrib.py
-rw-r--r--. 1 amver AMVER 7692 Apr 22 14:10 AMVERdistrib.py~
-rw-r--r--. 1 amver AMVER 1219 Apr 22 14:10 AmverSeas.conf
-rw-r--r--. 1 amver AMVER 6469 Apr 22 14:10 Archive1.py
-rw-r--r--. 1 amver AMVER 3718 Apr 22 14:10 Archive.py
-rw-r--r--. 1 amver AMVER 3674 Apr 22 14:10 Archive.py~
-rw-r--r--. 1 amver AMVER 2997 Apr 22 14:10 ASInit.py
-rw-r--r--. 1 amver AMVER 2480 Apr 22 14:10 ASInit.py~
-rw-r--r--. 1 amver AMVER 11591 Apr 22 14:10 code41mail.py
-rw-r--r--. 1 amver AMVER 11575 Apr 22 14:10 code41mail.py~
-rw-r--r--. 1 amver AMVER 15765 Apr 22 14:10 code41Met.py
-rw-r--r--. 1 amver AMVER 15765 Apr 22 14:10 code41Met.py~
-rw-r--r--. 1 amver AMVER 14654 Apr 22 14:10 code41Met.py.sav
-rw-r--r--. 1 amver AMVER 15191 Apr 22 14:10 code43Corrector.py
-rw-r--r--. 1 amver AMVER 14964 Apr 22 14:10 code43Corrector.py~
-rw-r--r--. 1 amver AMVER 14979 Apr 22 14:10 code43Corrector.py.sav
-rw-r--r--. 1 amver AMVER 11592 Apr 22 14:10 code43mail.py
-rw-r--r--. 1 amver AMVER 11576 Apr 22 14:10 code43mail.py~
-rw-r--r--. 1 amver AMVER 3301 Apr 22 14:10 Daemon.py
-rw-r--r--. 1 amver AMVER 3304 Apr 22 14:10 Daemon.py~
-rw-r--r--. 1 amver AMVER 4030 Apr 22 14:10 Daemon.pyc
-rw-r--r--. 1 amver AMVER 1674 Apr 22 14:10 mailtest2.py
-rw-r--r--. 1 amver AMVER 1797 Apr 22 14:10 mailtest.py
-rw-r--r--. 1 amver AMVER 622 Apr 22 14:10 MLStripper.py
-rw-r--r--. 1 amver AMVER 1359 Apr 22 14:10 MLStripper.pyc
-rw-r--r--. 1 amver AMVER 3785 Apr 22 14:10 MonthlyArch.py
-rw-r--r--. 1 amver AMVER 7948 Apr 22 14:10 NDCdistrib.py
-rw-r--r--. 1 amver AMVER 7959 Apr 22 14:10 NDCdistrib.py~
-rw-r--r--. 1 amver AMVER 16736 Apr 22 14:10 NOSSRVR_Files.zip
-rw-r--r--. 1 amver AMVER 10013 Apr 22 14:10 NWSdistrib1.py
-rw-r--r--. 1 amver AMVER 10205 Apr 22 14:10 NWSdistrib.py
-rw-r--r--. 1 amver AMVER 10204 Apr 22 14:10 NWSdistrib.py~
-rw-r--r--. 1 amver AMVER 9393 Apr 22 14:10 NWSdistrib.py.sav
-rw-r--r--. 1 amver AMVER 8924 Apr 22 14:10 QCdistrib.py
-rw-r--r--. 1 amver AMVER 8907 Apr 22 14:10 QCdistrib.py~
-rw-r--r--. 1 amver AMVER 7174 Apr 22 14:10 SEASBin1.py
-rw-r--r--. 1 amver AMVER 7341 Apr 22 14:10 SEASBin.py
-rw-r--r--. 1 amver AMVER 6816 Apr 22 14:10 SEASBin.py.sav
-rw-r--r--. 1 amver AMVER 13424 Apr 22 14:10 seasm1_1.py~
-rw-r--r--. 1 amver AMVER 13669 Apr 22 14:10 seasm1.py
-rw-r--r--. 1 amver AMVER 13498 Apr 22 14:10 seasm1.py~
-rw-r--r--. 1 amver AMVER 13542 Apr 22 14:10 seasm1.py.sav
-rwxr-xr-x. 1 amver AMVER 1244961 Apr 22 14:10 seasprocessor_cpp
-rwxr-xr-x. 1 amver AMVER 1245412 Apr 22 14:10 seasprocessor_cpp.pic
-rw-r--r--. 1 amver AMVER 1223 Apr 22 14:10 startAS1.py
-rw-r--r--. 1 amver AMVER 1307 Apr 22 14:10 startAS_NoDist.py
-rwxr-xr-x. 1 amver AMVER 1223 Apr 22 14:10 startAS.py
-rw-r--r--. 1 amver AMVER 1225 Apr 22 14:10 startAS.py~
-rw-r--r--. 1 amver AMVER 706 Apr 22 14:10 stopAS1.py
-rwxr-xr-x. 1 amver AMVER 706 Apr 22 14:10 stopAS.py
-rw-r--r--. 1 amver AMVER 663 Apr 22 14:10 stopAS.py~
-rw-r--r--. 1 amver AMVER 12297 Apr 22 14:10 Unprocess.py
-rw-r--r--. 1 amver AMVER 8203 Apr 22 14:10 USCGdistrib.py
-rw-r--r--. 1 amver AMVER 8187 Apr 22 14:10 USCGdistrib.py~
-rw-r--r--. 1 amver AMVER 12635 Apr 22 14:10 USCGmail.py
-rw-r--r--. 1 amver AMVER 12619 Apr 22 14:10 USCGmail.py~
-rw-r--r--. 1 amver AMVER 12365 Apr 22 14:10 Watchdog.py
-rw-r--r--. 1 amver AMVER 12347 Apr 22 14:10 Watchdog.py~
```



Message names begin with 05 followed by a four hexadecimal number followed by "se".

Extensions:

Mail message = .txt

Reformatted message = .in

Example:

053E00se.txt

/home/AMVER/SEAS/archive – Base directory of archive for records delivered to the SEAS binary address.

/home/AMVER/SEAS/bathy – Directory for real-time bathy processing.

/home/AMVER/SEAS/in – Location of reformatted messages sent to SEAS binary (X.25 lock alike).

/home/AMVER/SEAS/smtpin – Directory to look for new SEAS binary email messages (original mail messages).

/home/AMVER/SEAS/NODC/out – Directory queue for delivering NDC files to NODC and AOML.

/home/AMVER/SEAS/admin/05ff70se.txt

```
[root@localhost admin]# more 05FF70se.txt
X25MSG 40dd00.0d 40dd 311020307984 31102027935613 13 0001 000062 20130623153742
USA COMSAT NOAA 000000000 13-06-23 15:36 065392
STX:
//ADMIN_S4
WMO ID: IBITEST
Shipname: IBITEST
SEAS Version: 8.19
Inmarsat No: 000000000
Inmarsat Emerg: 000000000
AMVER Dist: -001
Medical Res: 0000
Inmarsat Manuf:
GPS Manuf:
Trans SW Ver: -0001
Report Type: -1
Ocean Areas: -1
Max Ship Speed: 0020
[root@localhost admin]# █
```

/home/AMVER/SEAS/archive/bathy/053E0Cse.BBX

```
[root@localhost bathy]# more 053E0Cse.BBX
####018002894####
BMDA90 KWBC 230016
KNMH
JJVV 23034 0010/ 728409 065520 88887 05206 02228 04228 06228
08228 10228 12228 14227 16227 18227 20227 22227 24227 26227
28227 30227 32227 34226 36226 38226 40226 42226 44226 46226
48226 50226 52226 54226 56226 58226 60226 62225 64225 66225
68224 70224 72223 74223 76222 78222 80221 82220 84220 86219
88219 90218 92218 94218 96217 98217 99901 00217 02216 04216
06216 08215 10215 12214 14214 16214 18213 20213 22212 24212
26212 28212 30212 32211 34211 36211 38211 40210 42209 44209
46209 48208 50207 52207 54205 56204 58203 60202 62202 64201
66200 68198 70197 72196 74196 76196 78196 80195 82195 84195
86195 88195 90195 92195 94194 96194 98193 99902 00193 02193
04192 06192 08192 10191 12191 14191 16191 18191 20191 22190
24190 26190 28190 30189 32189 34189 36189 38189 40189 42189
44188 46188 48188 50188 52188 54188 56188 58188 60187 62187
64187 66187 68187 70187 72186 74186 76186 78186 80186 82186
84186 86186 88186 90186 92185 94185 96185 98185 99903 00185
02185 04185 06184 08184 10184 12184 14184 16184 18183 20183
22183 24183 26183 28183 30183 32182 34182 36182 38182 40182
42182 44181 46181 48181 50181 52181 54181 56181 58180 60180
62180 64180 66180 68179 70179 72179 74179 76179 78179 80179
82179 84179 86179 88179 90179 92179 94178 96178 98178 99904
00178 02178 04178 06177 08177 10177 12177 14177 16177 18177
20177 22176 24176 26176 28176 30176 32176 34176 36175 38175
40175 42175 44174 46174 48174 50173 52173 54173 56173 58173
60172 62172 64172 66172 68171 70171 72171 74171 76171 78170
80170 82170 84169 86169 88169 90169 92169 94168 96168 98168
99905 00168 02168 04167 06167 08166 10166 12166 14166 16166
18165 20165 22165 24165 26165 28164 30164 32163 34163 36163
38163 40163 42162 44162 46161 48161 50161 52160 54160 56159
58159 60158 62158 64158 66157 68156 70156 72156 74155 76155
78154 80154 82153 84153 86152 88152 90151 92150 94150 96149
98149 99906 00149 02148 04148 06147 08147 10146 12146 14146
16145 18145 20144 22144 24144 26143 28141 30141 32140 34139
36139 38139 40138 42137 44136 46135 48135 50135 52135 54134
56134 58134 60133 62133 64133 66133 68132 70132 72131 74130
76130 78129 80128 82128 84127 86126 88126 90125 92125 94124
96123 98123 99907 00122 02121 04120 06119 08119 10118 12118
14118 16117 18116 20115 22115 24115 26115 28114 30114 32114
34114 36112 38112 40112 42111 44111 46110 48110 50109 52109
54108 56108 58107 60107 62106 64105 66105 68105 70104 72104
74104 76103 78103 80103 82102 84101 86100 88100 90100 92100
94100 96099 98099 99908 00099 02098 04098 06097 08096 10096
32092 34092 36091 38091 40091 42090 44090 46089 48089 50088
52088 54087 56086 58085 60085 62085 64084 66084 68084 70084
72084 74083 76083 78083 80083 82082 84082 86081 88081 90081
92081 A8SH4=
[root@localhost bathy]#
```

/home/AMVER/SEAS/archive/in/053E0Cse.BBX

```
[root@localhost in]# more 053E18se.in
```

```
X25MSG 40dd00.0d 40dd 311020307984 31102027935613 13 0001 000142 20140323003116
```

```
USA COMSAT NOAA 0000000000 14-03-23 00:30 015896
```

```
STX:
```

```
BBXX WC5932 23004 99443 70874 43/// ///// 00/// 11025 21339 40271 53015 7/// 8/// 2  
2282 0/// 2/// 3/// 4/// 5/// 6/// 81074 ICE /////=
```

/home/AMVER/SEAS/archive/mail/053E2Bse.txt

```
[root@localhost mail]# more 053E2Bse.txt
Return-Path: <shipobs+bncBAABCHXCMQKGG002HVII@noaa.gov>
Received: from inferno.aoml.noaa.gov (inferno-service.aoml.noaa.gov [10.16.100.1])
  by goos070.aoml.noaa.gov (8.13.8/8.13.8) with ESMTp id s2N16FX2017422
  for <seasobs@goos070.aoml.noaa.gov>; Sun, 23 Mar 2014 01:06:15 GMT
Received: (from uucp@localhost)
  by inferno.aoml.noaa.gov (8.11.7p1+Sun/8.11.7) id s2N162318198
  for <seasobs@goos070.aoml.noaa.gov>; Sat, 22 Mar 2014 20:06:02 -0500 (EST)
Received: from na3sys009aog112.obsmt.p.com(74.125.149.207) by inferno.aoml.noaa.gov v
  id srcAAAIwa0IJ; Sat, 22 Mar 14 20:06:02 -0500
Received: from mail-pd0-f174.google.com ([209.85.192.174]) (using TLSv1) by na3sys00
  ID DSNkUy4zidQGndbg2XXmJslagI+Zou2LFH@postini.com; Sat, 22 Mar 2014 18:06:
Received: by mail-pd0-f174.google.com with SMTP id y13sf3871522pdi.33
  for <seasobs@goos070.aoml.noaa.gov>; Sat, 22 Mar 2014 18:06:16 -0700 (PDT)
X-Google-DKIM-Signature: v=1; a=rsa-sha256; c=relaxed/relaxed;
  d=1e100.net; s=20130820;
  h=x-gm-message-state:to:mime-version:subject:message-id:from:date
  :x-original-sender:x-original-authentication-results:precedence
  :mailing-list:list-id:list-post:list-help:list-archive
  :list-unsubscribe:content-type;
  bh=Q7Y3Ps5d+NS/IcSepFp1NdfXkHTPELma0Loeo9Gk=;
  b=cs2vH+Xmsbvn1kPUNdi17gPfA8FarubNUK7+d/TutJgAVfTTKAnAPwCSv95EptL02
  oDNbhnGeqXzb+bz18xkzaEp7rqrQV4BnaLxm69s7Gmwx9/C+qriyoGN5GflysgAP
  ztrd9oT4YLud4rFA/w+rSRN0nDFI47aJdgfhf+jZGALST55AQCpnzVhLkAzM+HtCko
  JTe5kgovlu58JwpHI57FYIL+QD+zBv5UVtMQW5TgMioRkC6437KajHAuwoUJ9tpK8pvz
  TGHztHLEZRms2t3zqRat9racF9rmVuKqgKW03VygekobEj2H7xCw+VZMsaaiJLJf7vpQQ
  zumQ==
X-Gm-Message-State: ALoCoQndJ0mbd9ya5yxLI2+IZTgz525m8HfFufoGdvGf4ZVxYd9jkeIiepfswq
  hB2ud/7dPTmXgQ14D1HioEZ5v6UHW6ufi97RrxqXDUjC30dWZ1YUpCLOW
X-Received: by 10.66.241.8 with SMTP id we8mr26125739pac.16.1395536776711;
  Sat, 22 Mar 2014 18:06:16 -0700 (PDT)
X-Received: by 10.66.241.8 with SMTP id we8mr26125737pac.16.1395536776693;
  Sat, 22 Mar 2014 18:06:16 -0700 (PDT)
X-BeenThere: shipobs@noaa.gov
Received: by 10.50.111.135 with SMTP id ii7ls879469igb.27.gmail; Sat, 22 Mar
  2014 18:06:16 -0700 (PDT)
X-Received: by 10.66.252.135 with SMTP id zs7mr63386352pac.13.1395536776537;
  Sat, 22 Mar 2014 18:06:16 -0700 (PDT)
Received: from psmt.p.com (na3sys009amx182.postini.com [74.125.149.163])
  by mx.google.com with SMTP id bi5si6357557pbb.406.2014.03.22.18.06.16
  for <shipobs@noaa.gov>
  (version=TLSv1 cipher=RC4-SHA bits=128/128);
  Sat, 22 Mar 2014 18:06:16 -0700 (PDT)
Received-SPF: pass (google.com: domain of sp_2ndofficer@rccl.com designates 68.232.1
  Received: from esa2.rccl.iphmx.com ([68.232.137.89]) (using TLSv1) by na3sys009amx18
  Sat, 22 Mar 2014 18:06:16 PDT

X-NET: 12.43.115.155, mail01.royalcaribbean.com
X-SBRS: 3.9
X-MID: 38357291
X-Policy: $RELAYED
X-ENV: EnvFrm sp_2ndofficer@rccl.com, EnvTo shipobs@noaa.gov
X-IronPort-AV: E=Sophos;i="4.97,711,1389762000";
  d="scan'208,145";a="38357291"
Received: from mail01.royalcaribbean.com (HELO SHIPHUB01.na.rccl.com) ([12.43.115.15
  5])
  by esa2.rccl.iphmx.com with ESMTp; 22 Mar 2014 21:06:16 -0400
To: shipobs@noaa.gov
MIME-Version: 1.0
Subject: Weather from Splendour of the Seas
X-KeepSent: 2982C67A:F79318DA-85257CA4:00060EB1;
  type=4; name=$KeepSent
X-Mailer: Lotus Notes Release 8.5.3 September 15, 2011
Message-ID: <0FCD4E5D98.F054F1A1-0N85257CA4.00060EAF-83257CA4.00060EA1@rccl.com>
From: sp_2ndofficer@rccl.com
Date: Sat, 22 Mar 2014 23:06:09 -0200
X-MIMETrack: Serialize by Router on SHIPHUB01/SERVERS/RCLShip(Release 9.0.1|October
  14, 2013) at
  03/22/2014 09:06:15 PM,
  Serialize complete at 03/22/2014 09:06:15 PM
X-Filter-Loop: Reflected
X-pstn-neptune: 0/0/0.00/0
X-pstn-levels: (S:98.75545/99.90000 CV:99.9000 FC:95.5390 LC:95.5390 R:95.9108 P:95.
  9108 M:97.0282 C:98.6951 )
X-pstn-dkim: 0 skipped:not-enabled
X-pstn-settings: 1 (0.1500:0.1500) cv gt4 gt3 gt2 gtl
X-pstn-addresses: from <sp_2ndofficer@rccl.com> [427/18]
X-pstn-nxpr: disp=neutral, envrcpt=shipobs@noaa.gov
X-pstn-nxp: bodyHash=2aled31c073bf5d96ca5194ea35bf2d9139e9b7b, headerHash=79811b7d1c
  4d00df4ea50f321cf0ee68552d773c, keyName=4, rcptHash=8b9d63ac23f4cf4163433d86c5f2e447
  7e60d8f1, sourceip=68.232.137.89, version=1
X-Original-Sender: sp_2ndofficer@rccl.com
X-Original-Authentication-Results: mx.google.com; spf=pass (google.com:
  domain of sp_2ndofficer@rccl.com designates 68.232.137.89 as permitted
  sender) smtp.mail=sp_2ndofficer@rccl.com
Precedence: list
Mailing-list: list shipobs@noaa.gov; contact shipobs+owners@noaa.gov
List-ID: <shipobs.noaa.gov>
X-Google-Group-Id: 638897678072
List-Post: <http://groups.google.com/a/noaa.gov/group/shipobs/post>, <mailto:shipobs
  @noaa.gov>
List-Help: <http://support.google.com/a/noaa.gov/bin/topic.py?topic=25838>, <mailto:
```


7t5oC43L5iFdw9R6ioK7fv7adfCXhnQ7Zlvhe3DXNvdnYrMdnkrnkYPLZxyaz7bw9Z3PimTw/Dc
zfaw7QR3BA8uS2Qcrt6h5Q0Dn0K6I11a8vP7l1P0lSd7Ly/E5ilVSzBVVZicAAZJNdJqGgWVlf2
YeSuTp9xZG787au4EAgrrjpk0Nv1NNh0ezk0S+1CxubpprCaHMhUCKVxbGUPBBB9f0qvbxtcdC9LK9
jBktp47k20kEq3IbaYih359Mdc10+lahHHI72c4WMZchc7B6sByPxr0nW4haf8LA1m3/A0QjHdR2
qSD70KPjew9CRxn615jZXU1l0ZbZikjI0Zx/ErAgg+uQailVlVv1/wlyp01B2ZBSxo8kipGr07HC
qoySfQCugt9FsbjQtRvILm5eSwMTPIEHLSozBSEzghgT36+1aN5oek6X4pi0qHUtSF8l7DGs6RKA
iMAdw5zvBI9qp147Lf0/ruJUnucnNaXMMsyzW80cbMUDuhUFh1GT3HekFv0bZrgQyG3VghL2naGp
QZ6Z9q7bwUtYPDntDqst9cQw61exl42XzGwEycTxk9fqan1HSbXR/B+oRm5uLrS7i6sru3dAFdkd
Jeo0QG4IP0rP6zotNW/1K9hq/T9Dz2iuvn8J28ltFqen3kh0Z7R7ov0AJIyjdHGccZ3Moz6HNZV1
ZaPH9mkh1CScnFult01zIJN2Nittw2j5sksVrGvGwxDpSw5i0V2F/4WsbRtYc3V35VnaW95EpjX
eySlflbnhhu7Vk+IdLtL0y0m+06W4a2v4nfZcBd8bI2lhcEehojXhNpLr/Lf8gLSlhf+uh4z4Wu
72x8TaTdaUsbahDdRPbrJ90ybhtB9s4r13Vvj98QdIv7ix1PS9JtL2A7ZIZrN1ZT/wB9/rXiVtM1
vcwzoSGidXGpuHP9K+nfiV8NtX+Luup4g8PeJ9DudK+zhBEWJMHGWULAc5bJ557Y4rxKvIpLnWh
90z1H4peKb7wv8LrjxDpsVq1/GkDATR7ky7KDwCD3PevnyP40fELxRpWr2tppely2sdnK15NFasB
BFtIZixfAOM49T2r6K+JvhC+8V/D0fw5Yz28N5IkKiSYnYNjKT0BP8J7V4jqfh6/+FXwf8X6Lr3i
Psp5tTWNb0wtz+8BZgJG5AYgr7YgK5aPjy2td3Ej5+0jjVLL/rsn8xXuPhjWodDmu5ZLI3b3FvJb
Eed5YVHGGPQ84rxftwbrd+JtJt5CQkt3EhI6gFgK+mJfAwkRPGsL9dK0jBEBK/M2CcDj0BP4Vpi8
8wMM2pytv3tdE3t6HPWwFfEyu6NtDlNH8SNp1nJYvbfALDzhcQK0m2S2LHSRHA68cjGDTm8Sqmz
a5a2Sw6k5ZwTJmNJGbbKc468k4zgh8q6058GaDbTeTcapFL5TT7GdQfLX7zd0gyM0l/4N0HT7X7
Te6lcw2/H7ximfyrLXFuUN3XNR/dep/AGPjw0080c5qd3d23hiz0vULZo5xK88TyAh/JcK2Mf3
Sw3D6Grd14strkX6vpIjjvo4VLSK4KhwI1KDbhQccj36lty+DtF+w/b5tUu/squ852GAo4HUZX
QngjRHsjdrqf19mClzIcABR1JyPY1P8ArdlNryct/wCV7h/Y+N6W+9HPY+L5/wc39T1CG1i+z6Kc
t3ZTMXjkU9s8EeoPUVlR3tjzbSTwtjIJCRCMSz71iJGNwoLEds9/Wu0sfBWh6hD51jqVxPHnaWQ
rwfQ8cHkU218G6Bd7PsuqzTeZv27HU52Ha/bsSAar/W7KY3V5K2j91/iJ5NjXq7fejFufDvcR3s
baSI0vbaK3mWk4KtGVIZBtw003kc9aqah4gjjvfFqa4bIowlSzoBNkFkxgBtvA+UV1MngbRyrmG3
k1C4WeYMYoyy7n2jLYG0cZqDUPCXh7TpIkvTuuYHL0Iw2PmPoMLShxblf7Q5tf7stvx4Dlk+Ne9
vvRg6h4it9Q0+e0ud0YI17JfR0LxhkaTG5TlcFeB6GkPic30mXmn6haCS1m8KRCKTYbcRAHAuQQR
hjnPXJNdRj4D0iN4kkvrpXlYrGCVyxAJw0PQE/hVfUPCHh/TigtvVngL5Kh2XkdqenAGRYeKI8XZ
RK0YuT/7dl+APJ8bu7fejn9M8VT2Mscf2WGbTft3tGspG0143bc2WH04tzu9hTLTW9Ps5r1bbRwt
pcwNDtNyTMhJB3LJjjpAHQmuovPBGiWVsb171K4hgBAMjsoUEkAc47kipIvAwkSmQRX105jcxvg
r8rDqDx15o/1vye3NeVv8L/q4f2NjdtPvRzL14qiubW9ifTir3VLBZMyz8KIiNrAFep2j0TWZqeq
x3ujaVYlBGM2CyKJDJu3723HIwMc12cHgbRbiSdINRuJHgyf5VVLJRsa4PHBwRT4/AwkSSSpHfXT
PEQRcuVJAIB49CD+NC4wyeD0ctNfhfoDybgY3S+9HypVzR9V1DRbxbvR765sblektvIUP446/jR
RXsbnd1qPxr8f3+kpp8uvPEgGmgIwOZx7uBn8sV5cTS3M7z3Msk07nLSSMWZj7k8miilGMY7I
DW8Ff8jjoX/X9D/6Gk+vb+zN1c2MocKLLwczEEZ3fI64/8ez+FFFfnngsnHEUmv5Werl6vGyMrxP
4bbXGeSK5W3n+zPbwuU3bGy8k88grlSPetLVLBr7RbnT0kEbTQmEORkdjGcUUV8b7eo4wjfSL00/
lV35hr1g+raTd2UcgjknTaHb0Acg9ue3amzafNNoU+nyuiTswPCXVmdQWBAOWJY9e5oopRqSVNJP
Z3BpX+Q3QdK/seGeJZDLHL5qsXJf7qghmJJbkcHsMDtWdonhhtJ10G655V0lhkSSIJgNI7Kd454
+VQCPYGiiq+s1Pe1+Lfz0FyR08iXU9AuL3VRfpftFNGYjboEBVQhJIBPPZyYHBHGPsT0/s2u5rF0
k2C1uB0Rj04BGXH/AI9+lFFTKtN8t3tovuKUVqJe2TXV3p84cKLSVpSCM7soyY/8ez+FVNT0m8ub
2a50+e3jae1NpkJ4ywC5JDLgjn5jweDx6UUUUqsLkNu363FJKzH3ujR3WiW+mbg0EXkg+YN29I2U
KH6hcfjSeH9Km0eynge5+0u8zyo7Lg7TgK9SABk96KKFXm6bg3o3f5hyq9yvoOgTaTdt0b57jzY
ttwHRRuk3Ft4wPVn650COeKu2lhdw+q3115kDwd0yuVwfMVgipj0cY+XNFFVKt0o5S1u15d/+AHK
opJH/9k=

--= related 00060EA183257CA4 ==--

/home/AMVER/SEAS/archive/NODC/053E0Cse.NDC

```
[root@localhost NODC]# more 053E0Cse.NDC
SEAS Version: 5.20
Ship Name: HS DEBUSSY
Call Sign: A8SH4
Lloyds Number: 9436484
Date/Time(dd/mm/yyyy): 23/03/2014 00:10 GMT
Latitude(ddd.ddd): 028.409 N
Longitude(ddd.ddd): 065.520 W
Probe Type: Sippican Deep Blue
Probe Code: 52
Probe Serial No: 0000000
Recorder Type: Sippican MK-21
Recorder Code: 6
Bottom Depth: 9999 M
GTS CRC: 30E8DB7A
SEAS ID: E05E2A6F
```

```
INFPTS: 14
  20 2276 710 2233 1340 2112 1550 2043 1680 1979 2560 1875 4600 1722 5610 1579
6300 1405 6610 1331 7290 1143 8060 974 8790 827 8930 810
```

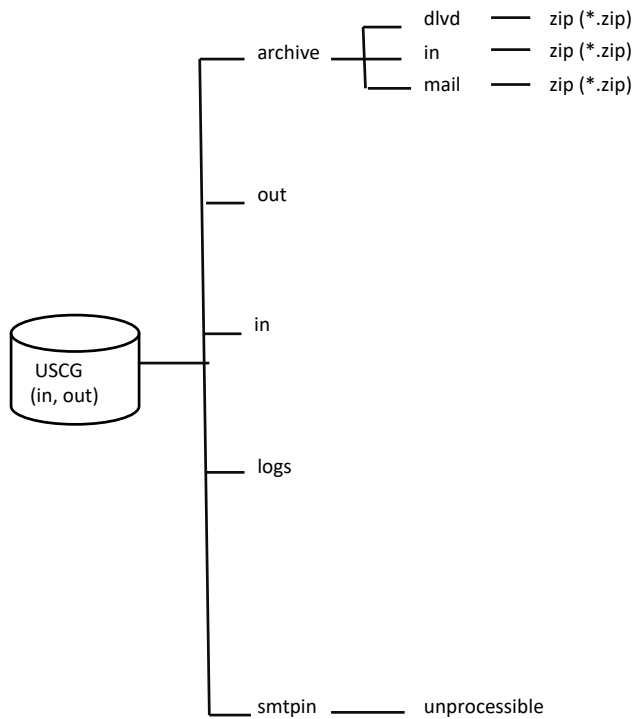
```
TWOMETER: 446
  20 2276 40 2276 60 2275 80 2275 100 2275 120 2275 140 2273 160 2273
 180 2272 200 2272 220 2272 240 2271 260 2270 280 2268 300 2267 320 2265
 340 2262 360 2262 380 2261 400 2260 420 2260 440 2260 460 2259 480 2259
 500 2259 520 2257 540 2256 560 2256 580 2255 600 2255 620 2250 640 2247
 660 2245 680 2242 700 2235 720 2229 740 2227 760 2219 780 2215 800 2206
 820 2203 840 2195 860 2189 880 2186 900 2184 920 2179 940 2176 960 2173
 980 2170 1000 2168 1020 2164 1040 2156 1060 2155 1080 2150 1100 2145 1120 2142
1140 2137 1160 2136 1180 2134 1200 2129 1220 2123 1240 2120 1260 2118 1280 2118
1300 2115 1320 2113 1340 2112 1360 2112 1380 2106 1400 2098 1420 2090 1440 2089
1460 2086 1480 2076 1500 2070 1520 2070 1540 2054 1560 2037 1580 2029 1600 2021
1620 2019 1640 2014 1660 2003 1680 1979 1700 1970 1720 1963 1740 1960 1760 1956
1780 1955 1800 1954 1820 1953 1840 1951 1860 1947 1880 1946 1900 1946 1920 1945
1940 1943 1960 1937 1980 1934 2000 1928 2020 1926 2040 1923 2060 1920 2080 1917
2100 1914 2120 1913 2140 1912 2160 1907 2180 1906 2200 1905 2220 1904 2240 1904
2260 1898 2280 1895 2300 1890 2320 1889 2340 1888 2360 1887 2380 1886 2400 1885
2420 1885 2440 1884 2460 1881 2480 1881 2500 1880 2520 1877 2540 1875 2560 1875
2580 1875 2600 1871 2620 1870 2640 1870 2660 1869 2680 1867 2700 1867 2720 1864
2740 1864 2760 1863 2780 1862 2800 1860 2820 1859 2840 1859 2860 1857 2880 1856
2900 1855 2920 1851 2940 1850 2960 1848 2980 1847 3000 1846 3020 1845 3040 1845
3060 1843 3080 1842 3100 1839 3120 1837 3140 1835 3160 1835 3180 1834 3200 1834
3220 1831 3240 1829 3260 1829 3280 1828 3300 1827 3320 1821 3340 1820 3360 1820
3380 1818 3400 1817 3420 1815 3440 1814 3460 1813 3480 1812 3500 1811 3520 1810
```

```
3540 1809 3560 1805 3580 1803 3600 1801 3620 1800 3640 1797 3660 1795 3680 1794
3700 1794 3720 1793 3740 1790 3760 1789 3780 1788 3800 1788 3820 1788 3840 1787
3860 1787 3880 1787 3900 1787 3920 1786 3940 1781 3960 1780 3980 1779 4000 1776
4020 1776 4040 1775 4060 1773 4080 1771 4100 1770 4120 1770 4140 1768 4160 1768
4180 1767 4200 1765 4220 1764 4240 1763 4260 1762 4280 1761 4300 1761 4320 1756
4340 1755 4360 1753 4380 1752 4400 1751 4420 1745 4440 1744 4460 1743 4480 1737
4500 1734 4520 1732 4540 1732 4560 1729 4580 1727 4600 1722 4620 1720 4640 1719
4660 1715 4680 1713 4700 1710 4720 1710 4740 1710 4760 1709 4780 1704 4800 1704
4820 1701 4840 1692 4860 1690 4880 1687 4900 1687 4920 1685 4940 1680 4960 1679
4980 1676 5000 1676 5020 1675 5040 1673 5060 1670 5080 1664 5100 1659 5120 1656
5140 1655 5160 1655 5180 1654 5200 1652 5220 1651 5240 1647 5260 1645 5280 1642
5300 1637 5320 1634 5340 1631 5360 1629 5380 1627 5400 1625 5420 1619 5440 1617
5460 1614 5480 1609 5500 1605 5520 1602 5540 1596 5560 1592 5580 1586 5600 1582
5620 1578 5640 1575 5660 1568 5680 1564 5700 1561 5720 1556 5740 1548 5760 1547
5780 1543 5800 1539 5820 1534 5840 1531 5860 1523 5880 1515 5900 1510 5920 1503
5940 1496 5960 1493 5980 1490 6000 1488 6020 1484 6040 1478 6060 1472 6080 1468
6100 1464 6120 1460 6140 1455 6160 1453 6180 1451 6200 1439 6220 1436 6240 1435
6260 1430 6280 1414 6300 1405 6320 1397 6340 1390 6360 1388 6380 1385 6400 1377
6420 1369 6440 1356 6460 1353 6480 1352 6500 1352 6520 1350 6540 1342 6560 1339
6580 1335 6600 1332 6620 1331 6640 1331 6660 1330 6680 1322 6700 1315 6720 1310
6740 1303 6760 1297 6780 1289 6800 1284 6820 1277 6840 1268 6860 1259 6880 1255
6900 1250 6920 1247 6940 1240 6960 1232 6980 1227 7000 1218 7020 1210 7040 1202
7060 1193 7080 1189 7100 1182 7120 1180 7140 1177 7160 1172 7180 1163 7200 1152
7220 1148 7240 1147 7260 1146 7280 1144 7300 1139 7320 1135 7340 1135 7360 1123
7380 1119 7400 1117 7420 1110 7440 1106 7460 1103 7480 1097 7500 1089 7520 1085
7540 1081 7560 1077 7580 1073 7600 1068 7620 1063 7640 1053 7660 1047 7680 1046
7700 1043 7720 1036 7740 1035 7760 1031 7780 1027 7800 1027 7820 1018 7840 1007
7860 1002 7880 1002 7900 1000 7920 998 7940 997 7960 992 7980 989 8000 985
8020 978 8040 976 8060 973 8080 964 8100 961 8120 959 8140 955 8160 951
8180 947 8200 943 8220 942 8240 939 8260 934 8280 930 8300 927 8320 923
8340 915 8360 914 8380 909 8400 905 8420 901 8440 896 8460 892 8480 885
8500 881 8520 875 8540 867 8560 860 8580 853 8600 850 8620 846 8640 843
8660 840 8680 838 8700 835 8720 835 8740 832 8760 830 8780 827 8800 827
8820 822 8840 817 8860 814 8880 813 8900 810 8920 810
```

```
XBT: 1415
22732277227722752276227722752276227522762275227522752275227522752275227322702275
2276227622752273227122722272227227227322722722722722722722722732271227222722732271227022702270
2270226722632265226822682267226922682262261226222632262226122602262226222622259
22612260226122602259225922602256225722602261226022602257225922592259225722562256
22552259225922552255225722562257225622552255225422512250224722462245224822472245
22452245224222402237223422352232222822282229222722232220221922192217221522132210
22062206220522032198219521952192219221892188218721862184218421852184218121792179
21782176217621752173217121722170216821692169216721672165216221562157215521542155
```

21562154215121462146214621452143214221402139213721372137213721352135213421322130
21292129212821252121212021182117211821182120211821192117211721182115211321132114
2114211221122112211221122110210521022098209820952092209020892090209020882087
20862082207920762070207020702068207220722070206220542045204020372034203220292026
20222021202020202019201720172015201220072004199519861979197819771971196919681964
19621960196019601959195619551956195619541954195419541955195419531951195119501951
194819461945194619461946194619471947194719471945194519451942193819371936193619371934
19311929192819271927192619231922192519251920192019211919191719141915191419141913
19141913191319121911191019091906190519061906190519061905190519041904190419041904
19041900189718971895189518901890189218891888188918871888188818891887188618871887
18851885188718861884188518851885188418841884188118811882188118811880188018801880
18791878187518761877187618751875187518731875187618751872187018711870187018701870
18711870187018691868186818671867186718671864186518671864186218641864186218641864
18631862186218621860186018601857185918591859185718561859185918571857185618561856
18551855185418511850185118511850184818471847184718471847184618461847184518451845
18451845184518451844184318431843184318421839183818391838183718371837183518351834
18341835183518361832183418351832183118341830182918291829183018291828182818291829
1828182818261823182318211821182118201820182018201818181718171815181518181815
18171814181418151815181418131813181218121812181118121811181018091809181018111810
18071806180518041804180318031802180117981797179718001800180117971795179517951795
1794179317931794179417951794179317901792179217901789178917881788178917881788
1788178917871787178817871787178717871787178717871787178717871785178617861786
17811780178117811780177917801779177817761776177617761776177517751775177517731773
17751775177217711770177017701771177117691768177017691768176817681767176517681768
17651765176417641762176317641765176417641763176217621761176217611761176117591757
17561756175417541756175517531753175217531751175217511751175017481745174517441745
17431743174317401739173717361736173417341732173217321731173217321732173017291728
172917271727172517221721172017191719171817191717171517141713171317121710
1710170917101710171117101707171017101709170517031704170417041704170417021700
16961693169216901690169016891689168716871687168616861687168616841681168016801681
16801678167716771676167516751673167616751675167616761675167116711670167016671665
16631662166016591659165916561655165616541655165516551655165416541653165216521652
16511652165116471647164816471645164516441643164216401637163716361637163516341632
16311634163116301629162816281627162716261625162216201619161816171617161716151617
16141612161016091605160516041605160416021601159715961596159615931592158915851586
1586158515821581157815781577157515731571156815681568156515631561156315611560
1556155615521550154715471548154715461544154315431540153915361534153215341532
15311528152615231522151915171514151115101510150715061503150014971496149414931493
14931492149014891489148914881486148514821482148114781475147214721469146914681468
1465146514641461146014601457145514531453145514521452145114501446144214361435
1436143614361435143514321431143014271422141514101407140614031401139713931392
13901389138813881388138513851382138013771376137213711369136313591356135513521352
13521352135313531352135213531353135113481347134413421342133913391339133913361335
13341331133113321331133113311331133113301331133113281326132313191318131713151314
13111310130713061303130112981297129612941292128612851285128412841280127612731271

18171814181418151815181418131813181218121812181118121811181018091809181018111810
18071806180518041804180318031802180117981797179718001800180117971795179517951795
1794179317931794179417951794179317901792179217901789178917881788178917881788
178817891787178717881787178717871787178717871787178717871785178617861786
178117801781178117801779178017791778177617761776177617751775177517731773
17751775177217711770177017701771177117691768177017691768176817681767176517681768
17651765176417641762176317641765176417641763176217621761176217611761176117591757
17561756175417541756175517531753175217531751175217511751175017481745174517441745
17431743174317401739173717361736173417341732173217321731173217321732173017291728
172917271727172517221721172017191719171817191717171517141713171317121710
1710170917101710171117101707171017101709170517031704170417041704170417021700
16961693169216901690169016891689168716871687168616861687168616841681168016801681
16801678167716771676167516751673167616751675167616761675167116711670167016671665
16631662166016591659165916561655165616541655165516551655165416541653165216521652
16511652165116471647164816471645164516441643164216401637163716361637163516341632
16311634163116301629162816281627162716261625162216201619161816171617161716151617
16141612161016091605160516041605160416021601159715961596159615931592158915851586
1586158515821581157815781577157515731571156815681568156515631561156315611560
1556155615521550154715471548154715461544154315431540153915361534153215341532
15311528152615231522151915171514151115101510150715061503150014971496149414931493
14931492149014891489148914881486148514821482148114781475147214721469146914681468
1465146514641461146014601457145514531453145514521452145114501446144214361435
1436143614361435143514321431143014271422141514101407140614031401139713931392
13901389138813881388138513851382138013771376137213711369136313591356135513521352
13521352135313531352135213531353135113481347134413421342133913391339133913361335
13341331133113321331133113311331133113301331133113281326132313191318131713151314
13111310130713061303130112981297129612941292128612851285128412841280127612731271
12681264126112601256125512551255125312511250124812471247124312431242123812351234
12311230122812261222121912171215121412101207120212021201119711941193119311901189
1185118511821180117811811811178117811771176117211711169116511631157115311521151
1148114811481147114711471147114611441144114411431143114011391136113811351135
11351135113111271123112211211191181181118111511131110110911061106110611051105
11031102110010971096109310901089108910861085108410811081107810781077107710761075
10721071106910681064106410631060105610531053105110481047104710461046104410441043
104010391036103510351035103410321031103010281027102710271025102310221018
101310101007100610051002100210021001 9981000 997100010001000 998 998 997 996
994 993 990 989 989 989 986 985 985 981 980 978 978 977 976 976 976 977 973 968
965 964 963 961 961 960 960 959 960 959 957 955 952 952 951 950 948 947 947 946
944 943 943 942 942 939 939 940 936 935 932 931 931 930 927 928 927 927 927
925 921 918 917 915 914 914 914 911 909 907 906 905 903 903 902 900 900 897
896 893 892 892 890 888 886 885 885 884 881 877 877 875 872 869 868 864 863 860
859 856 855 853 852 852 851 848 847 846 846 844 843 843 842 842 840 839 839 838
836 835 838 836 835 835 835 835 834 832 832 831 831 828 827 828 827 827 827 827
826 825 823 822 818 817 817 814 814 814 814 814 814 811 810 810 810 810 809 809
807 806 810 93912901523165117441815187519251967200220322269



/home/AMVER/USCG/archive – Directory of archive for records delivered to the USCG address.

/home/AMVER/USCG/in – Location of reformatted messages sent to USCG (X.25 lock alike).

/home/AMVER/USCG/out – Directory receiving USCG messages for delivery to NWSTG.

/home/AMVER/USCG/smtpin – Directory to look for new USCG email messages (original mail messages).